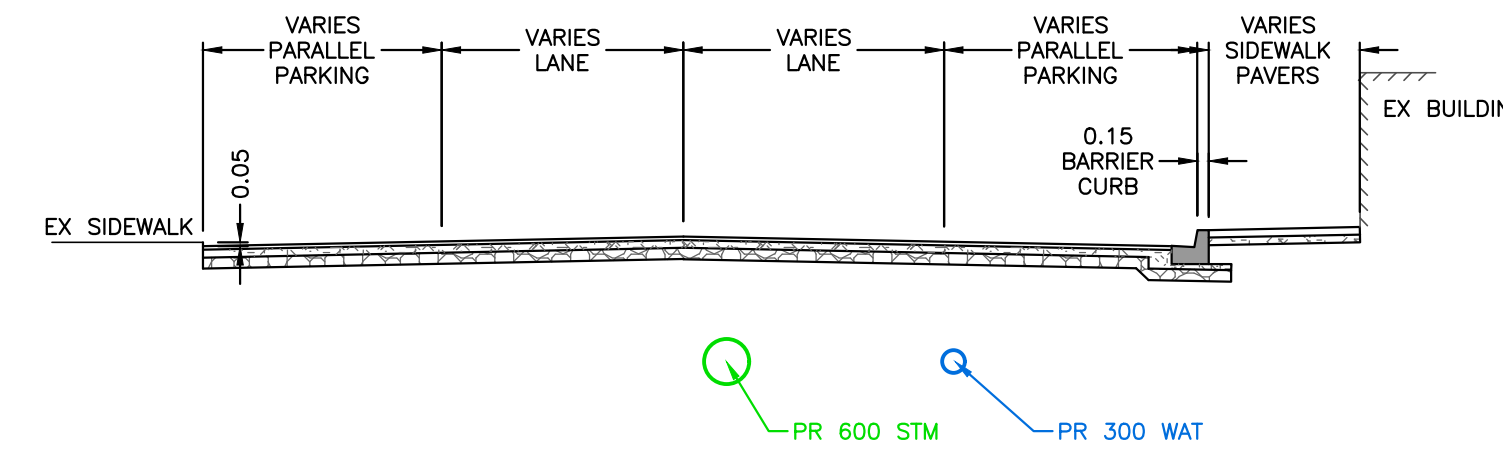
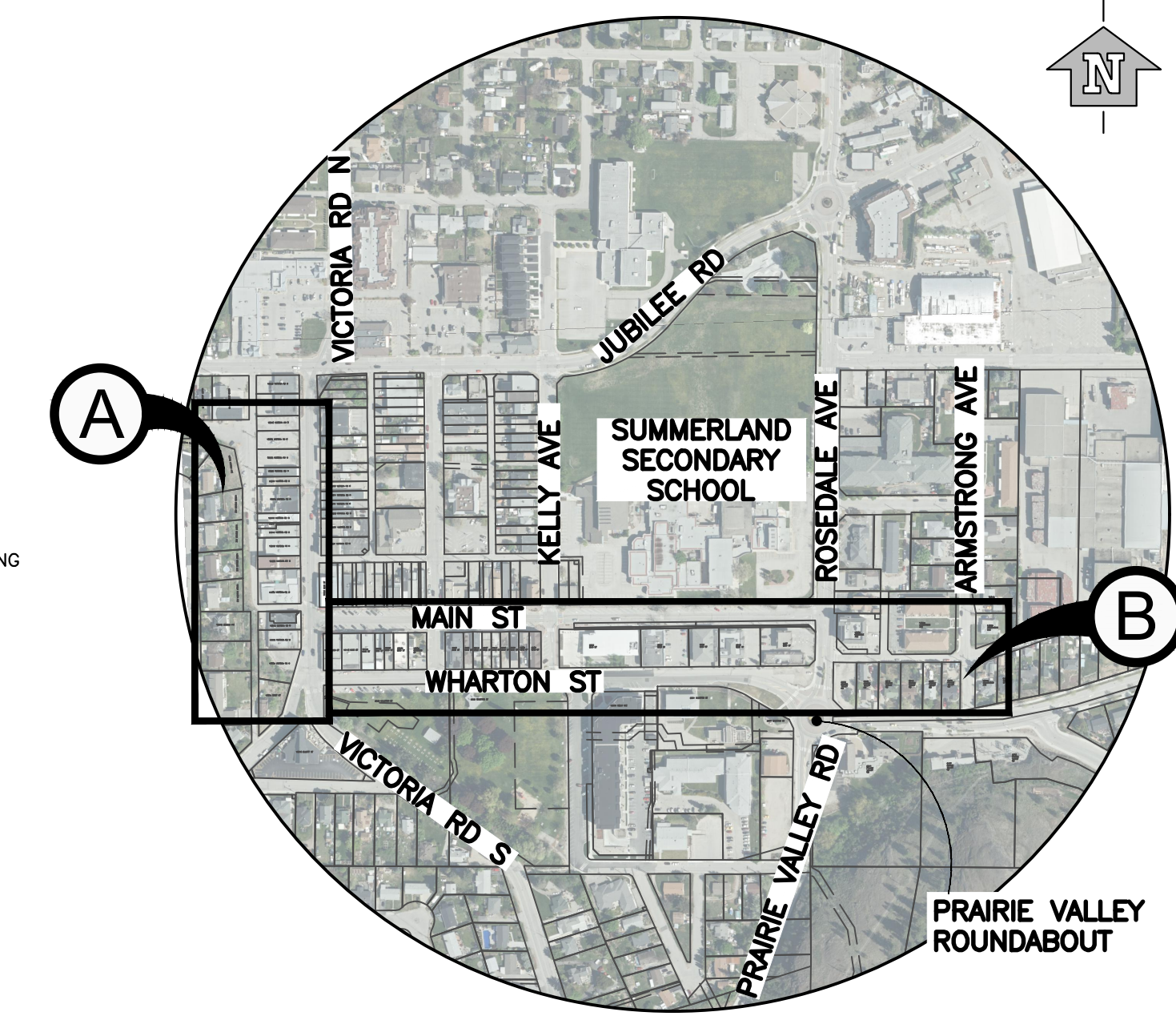


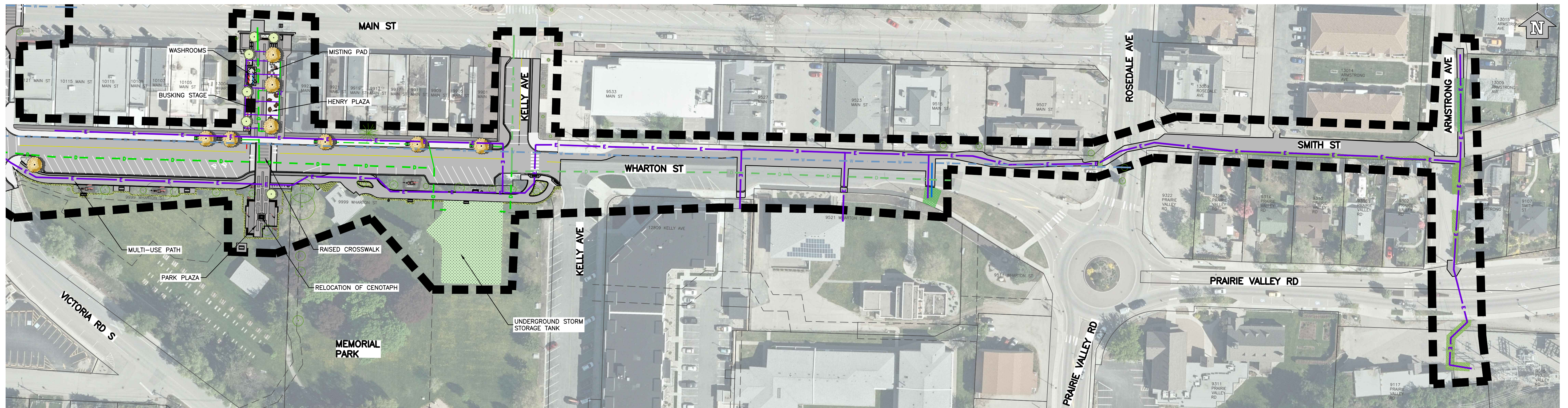
A VICTORIA RD NORTH



VICTORIA RD N



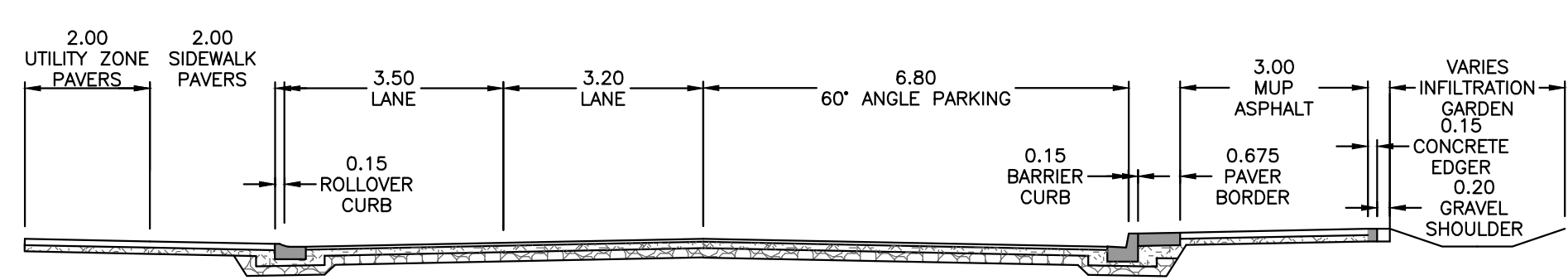
LOCATION PLAN  
0 100 200m  
1:5000



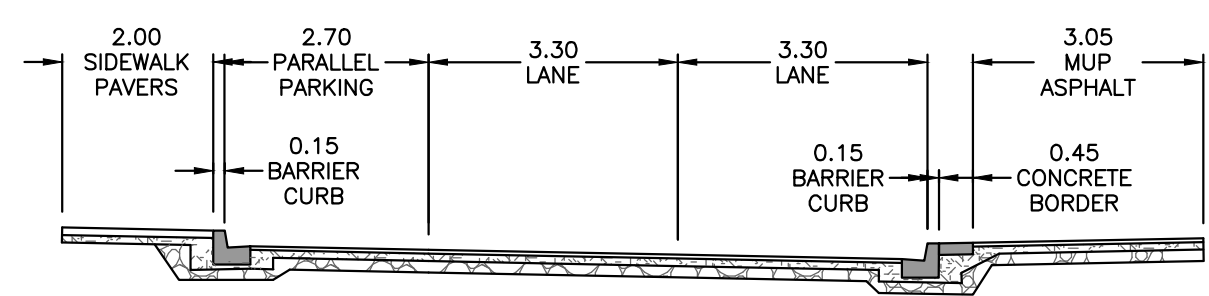
B WHARTON ST

\* ELECTRICAL DESIGN SHOWN IS NOT ASSOCIATED WITH THIS AAP AND IS FUNDED SEPARATELY  
\*PRELIMINARY DESIGN SUBJECT TO AMENDMENT BASED ON SITE CONDITIONS

- PROPOSED WATER
- - - EXISTING WATER
- PROPOSED STORM
- - - EXISTING STORM
- PROPOSED UNDERGROUND ELECTRICAL



PR 600 STM  
WHARTON ST



KELLY AVE