

Consolidated to April 11, 2022



Consolidated for Convenience to include:

Bylaw 2022-019

Table of Contents

1	GENERAL ADMINISTRATION.....	1-1
1.1	TITLE	1-1
1.2	AUTHORITY	1-1
1.3	BYLAW APPLICATION	1-1
1.4	LEGAL NON-CONFORMING SIGNS	1-1
1.5	GENERAL COMPLIANCE	1-2
1.6	SIGN PERMIT EXPIRATION.....	1-2
1.7	SIGNS ON PUBLIC PROPERTY	1-2
1.8	SIGN REMOVAL.....	1-3
1.9	ENFORCEMENT	1-4
1.10	METRIC UNITS.....	1-4
1.11	SEVERABILITY.....	1-4
2	DEFINITIONS	2-1
2.1	DEFINITIONS AND TERMINOLOGY.....	2-1
3	PROHIBITIONS	3-1
3.1	SIGNS PROHIBITED IN ALL ZONES	3-1
3.2	DESIGN PROHIBITIONS	3-2
3.3	SIGN LOCATION PROHIBITIONS	3-2
3.4	PROHIBITIONS AND PENALTIES	3-3
4	PERMITTED SIGNS.....	4-1
4.1	SIGN PERMIT REQUIREMENTS	4-1
4.2	REPAIR AND MAINTENANCE.....	4-1
4.3	ADVERTISING SIGNS ON BUS SHELTERS, BENCHES, GARBAGE/RECYCLING CONTAINERS	4-1
4.4	AWNING SIGNS.....	4-1
4.5	BALLOON SIGNS.....	4-2
4.6	BANNER SIGNS	4-3
4.7	CANOPY SIGNS	4-3
4.8	CAMPAIGN SIGNS.....	4-4
4.9	CHANGEABLE COPY SIGNS AND ELECTRONIC STATIC CHANGEABLE COPY SIGNS	4-4
4.10	COMMUNITY NOTICE BOARD	4-5
4.11	CONSTRUCTION SIGNS	4-6
4.12	FARM SALES SIGNS – TEMPORARY, PORTABLE	4-6
4.13	FASCIA SIGNS	4-7
4.14	FLAGS	4-8
4.15	FREESTANDING SIGNS	4-8
4.16	INFORMATION PLAQUES.....	4-9
4.17	MUNICIPAL OR PROVINCIAL SIGNS	4-10
4.18	MURALS.....	4-10
4.19	NEIGHBOURHOOD IDENTIFICATION SIGNS	4-10
4.20	PORTABLE SIGNS.....	4-11
4.21	PROJECTING SIGNS	4-11
4.22	REAL ESTATE SIGNS - SMALL	4-12

4.23	REAL ESTATE SIGNS – LARGE.....	4-12
4.24	SANDWICH BOARD SIGNS	4-13
4.25	SIGNS NOTING RESTRICTIONS.....	4-14
4.26	UNDER AWNING / CANOPY SIGNS	4-15
4.27	WARNING SIGNS.....	4-15
4.28	WINDOW SIGNS	4-15
5	EFFECTIVE DATE	5-1
5.1	EFFECTIVE DATE.....	5-1

Statement of Legislative Intent

Identification signs on private property and within highway rights-of-way within the boundaries of the District of Summerland, which provide a service to both visitors and residents are considered desirable in Summerland as a tourism destination and community.

The goals of this Sign Bylaw are to:

- be supportive of the business community;
- promote an aesthetically pleasing community;
- promote safety;
- promote fairness between all businesses;
- be flexible;
- be easy to administer;
- be clear and concise;
- support branding; and
- encourage compliance.

The regulations in this Bylaw are intended to complement and reinforce the objectives of the Official Community Plan.

Further, the regulations are intended to prohibit any signs which could be a hazard to life or property or be a traffic hazard.

WHEREAS pursuant to Section 908 of the *Local Government Act* of the Province of British Columbia, Council may regulate the number, size, type, form, appearance and location of any signs and may prohibit signs subject to Section 908(3);

AND WHEREAS pursuant to Sections 8(4) and 65 of the *Community Charter* of the Province of British Columbia, Council may regulate erection, placing alteration, maintenance, demolition and removal of signs, sign boards, advertisements, advertising devices and structures;

AND WHEREAS it is deemed desirable to regulate such signs and structures in the District of Summerland;

NOW THEREFORE the Municipal Council of the Corporation of the District of Summerland, in open meeting assembled, enacts as follows:

1. Sign Bylaw 2000-451 and all amendments are hereby repealed.
2. This Bylaw may be cited as the "District of Summerland Sign Bylaw Number 2013-026".

1 General Administration

In addition to this Bylaw, a person is responsible for ascertaining and complying with requirements of all other applicable municipal bylaws, and Provincial or Federal statutes and regulations.

1.1 Title

1.1.1 This Bylaw may be cited as the “Summerland Sign Bylaw 2013-026”.

1.2 Authority

1.2.1 This Bylaw is enacted pursuant to Sections 8(4) and 65 of the Community Charter and Section 908(1) of the Local Government Act, subject to the Transportation Act and Section 135 of the Motor Vehicle Act.

1.3 Bylaw Application

1.3.1 This Bylaw is applicable to the erection, placement, display, alteration or movement of signs on all private property and on highway rights-of-way within the boundaries of the District of Summerland.

1.3.2 This Bylaw does not apply to:

- a) [Signs](#) located inside a building and not visible or intended to be visible from any [highway](#).
- b) [Signs](#) on or over Municipal streets erected or authorized by the [District](#) for the control of traffic and parking, or for street names and directions.
- c) Street decorations and banners authorized by the [District](#).
- d) Building addresses containing number and street only.
- e) Public notices authorized by the [District](#) bylaws or Provincial or Federal legislation.
- f) [Signs](#) located within the jurisdiction of the Ministry of Transportation and Highways.

1.4 Legal Non-Conforming Signs

1.4.1 Any [sign](#) in existence and use in the [District](#) on the date of adoption of this Bylaw, which does not conform to, and comply with the provisions hereto, shall be considered a legal, non-conforming [sign](#) and shall be allowed to remain in use provided it also meets the following requirements:

- a) The [sign](#) was legally authorized by the issuance of a valid [sign permit](#) prior to its installation; and
- b) The [sign](#) was in compliance with all applicable [regulations](#) on the date of adoption of this Bylaw.

- 1.4.2 A legal non-conforming sign may be structurally altered under a sign permit if this would make the sign conform to the provisions of this bylaw, but it must not be made more non-conforming by increasing its height or sign area beyond what is allowable under this bylaw and shall comply with all other provisions of this Bylaw.

1.5 General Compliance

- 1.5.1 No person shall construct, place, erect, display, alter, repair or relocate any sign which does not conform to and comply with the provisions set forth in this bylaw, except that normal maintenance of an existing legal, non-conforming sign shall be permitted.

1.6 Sign Permit Expiration

- 1.6.1 A [Sign Permit](#) will expire if the allowed signage is not commenced within two (2) years of its issuance.

1.7 Signs on Public Property

- 1.7.1 No [sign](#) shall be installed or placed wholly or partly on or over public property, except where permitted by this bylaw.
- 1.7.2 With every Sign Permit Application involving a sign, except a sandwich board sign, to be installed wholly or partly on or over public property, including a street or sidewalk, the Applicant shall:
- a) Provide documentation, in a form satisfactory to the [District](#), and enter into an Encroachment Agreement with the District of Summerland to provide liability insurance in the amount of \$5,000,000.00 naming The District of Summerland as an additional named insured for as long as the sign remains on or over public property.
 - b) Maintain such insurance until the sign has been removed. In the event that the sign owner allows such insurance to lapse without renewal, the sign permit will be deemed revoked requiring such sign to be removed immediately.
 - c) Ensure the maintenance and use of the sign is in compliance with the terms of the sign permit.

1.8 Sign Removal

- 1.8.1 The [District](#) may remove and impound any sign on [District](#) road rights-of-way that is in contravention with this Bylaw. Such signs may be claimed within 30 days of removal by the owner upon payment of a fee specified in the Fees and Charges Bylaw. Where a sign is not claimed within 30 days the sign may be disposed of by the [District](#).
- 1.8.2 Any person who is in contravention of this Bylaw may be served with an enforcement Compliance Order.
- 1.8.3 If any person fails to comply with the Enforcement Compliance Order within the time period specified in the notice, [District](#) Council may authorize, by resolution, the removal of any sign which contravenes this Bylaw. The resolution shall specify the time by which the required action shall be completed. The [District](#) shall provide notice of the resolution to the owner, tenant or occupier of the parcel on which the sign is located. In addition to Council's resolution on the matter, the notice shall state:
- a) The civic address of the parcel;
 - b) The legal description of the parcel;
 - c) The particulars of the contravention;
 - d) That the contravening sign shall be removed or brought into compliance with this Bylaw within 30 days of the date of delivery of the notice or such greater period of time as may be specified in the notice.
 - e) That if the owner or occupant fails to comply with the notice, the [District](#) may, without further notification, remove the contravening sign at the cost of the defaulting owner or other responsible person;
 - f) That the owner or occupier or both may be subject to prosecution for an offence under this Bylaw; and
 - g) That the person subject to the requirement may request a reconsideration of the matter by Council within the time specified in the notice.
- 1.8.4 Any person who is subject to a removal order under this Section may request Council to reconsider the order, by providing written notice within 14 days of the date on which the [District](#) provided notice of the order, and Council shall provide the person with an opportunity to make representations to Council. Council may, after hearing such representations, conform, amend or cancel the order, and shall provide notice of its decision to the person who requested the reconsideration.
- 1.8.5 If a contravention of this Bylaw creates an imminent safety hazard to members of the public, whether on [District](#) property or private land, the notice provided under Section 1.8.3 may specify a compliance period of less than 30 days, and may require that a request for reconsideration be provided within fewer than 14 days of the date on which the [District](#) provided notice of the order but not fewer than 2 days.

1.9 Enforcement

- 1.9.1 A [district official](#) is authorized to enter, at reasonable times, upon any property in order to ascertain whether the bylaw requirements are being met and the bylaw [regulations](#) are being observed.
- 1.9.2 No person shall prevent or obstruct or seek to prevent or obstruct an authorized [district official](#) from carrying out any official duty under this Bylaw.
- 1.9.3 Any person violating any provision of this Bylaw is liable on summary conviction to a fine. A separate offence shall be deemed to be committed on each day during, or on which, a violation occurs or continues.

1.10 Metric Units

- 1.10.1 Metric units are used for all measurements in this Bylaw. The approximate equivalent of those units in commonly used units of Canada measure (feet, inches, etc.) are shown in brackets following each metric measurement, and such bracketed figures are included for convenience only and do not form part of this Bylaw.
- 1.10.2 For the purpose of this bylaw, the following units of measure are abbreviated as follows:
 - a) Meters – m
 - b) Square metres – m²
 - c) Foot – ft
 - d) Square Foot – ft²

1.11 Severability

- 1.11.1 If one or more provisions of this Bylaw are, for any reason, declared to be invalid by a court of competent jurisdiction, the invalid provision shall be severed and all remaining provisions shall remain in full force and effect.

2 Definitions

2.1 Definitions and Terminology

All words, or phrases or terms in this Bylaw shall have their normal or common meaning unless specifically defined by the Local Government Act or by the definitions set forth in this section as follows.

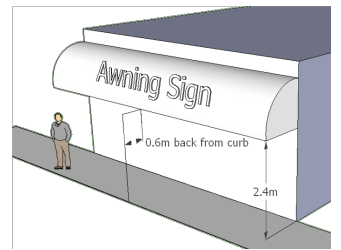
A

Abut or Abutting means contiguous to, or physically touching, and when used with respect to two [Lots](#), means that the [Lots](#) share a common [Property Line](#).

Area of a sign means the surficial extent within the outer edge of the frame or border, or, where there are no borders, the area within the shortest line circumscribing the letters, symbols, objects and things comprising the sign.

Awning means a roof-like covering of canvas or similar fabric material, which may or may not be retractable, projecting from and being entirely supported from the exterior wall of a building.

Awning sign means a [sign](#) painted or affixed flat to the surface of an [awning](#) which does not extend vertically or horizontally beyond the limits of such [awning](#).



B

Balloon sign means a [sign](#) composed of non-rigid material supported by gas or air pressure, but does not include party balloons.

Banner sign means a [sign](#) composed of lightweight, non-rigid material such as cloth, canvas or similar fabric, but excludes government flags.

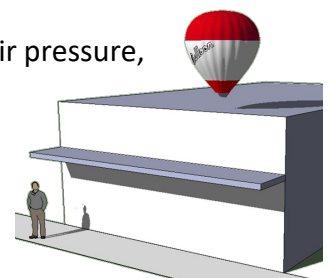
Billboard means a freestanding structure which is a [third-party sign](#).

Building Face means the total area of the wall of a building.

Business means the carrying on of a commercial or industrial undertaking of any kind or nature or the providing of professional, personal or other services for the purpose of gain or profit.

Business directory means a [sign](#) or group of signs which indicate a business or businesses located on one property and may be either a [freestanding](#) or [fascia](#) sign.

Business Frontage means the distance from centre to centre of party walls or outside walls housing a [business](#) or commercial service or office.



C

Campaign sign means a [sign](#) that pertains only to an election by voters in the District of Summerland.

Canopy means a permanent roof-like structure that extends outwards from a wall or a building.

Canopy sign means a [sign](#) attached to or constructed in or on a face of a [canopy](#) but does not include an [Under Awning/Canopy Sign](#).

Changeable Copy sign means any [sign](#) on which [copy](#) can be changed manually through the use of attachable letters, numbers and pictorial panels.

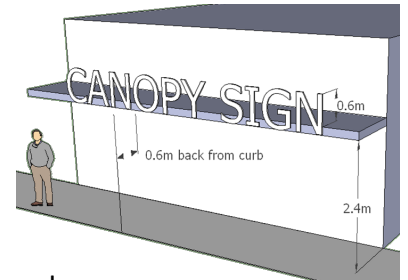
Clearance means the vertical distance between the underside of a [sign](#) and average finished grade immediately below.

Community Notice Board means a permanent [sign](#) used to display education material, community events or notices identifying items for sale.

Construction sign means a [temporary sign](#) erected on a site where construction is taking place indicating the names of individual firms, financial institutions or sponsors having a direct role or interest with the development or project.

Copy means the text, illustrations and symbols that make up the message on a [sign](#).

Copy Area means the area within the shortest perimeter surrounding the [copy](#).



D

Development sign means a [temporary sign](#) which indicates the nature of development, construction or demolition proposed or in progress on a particular [premise](#) or parcel.

Development Site means an area of land consisting of a [Lot](#) or two or more [Abutting](#) Lots.

Directional sign means a permanent [sign](#) designed to direct pedestrian and vehicular traffic to a specific place such as hospitals, schools, parks, or other public services or utilities.

District means the District of Summerland.

District Official means the official or officials appointed by the [District](#) Council to administer and enforce the provisions of this Bylaw and may include a Building Inspector, Bylaw Enforcement Officer, or Director of Development Services.

E

Electronic Moving Changeable Copy sign means any [sign](#) on which [copy](#) can be displayed utilizing electronic screens, televisions, computer video monitors, liquid crystal displays, light emitting diode displays, or any other similar electronic technology where the sign copy displays video, graphics, or moving images.

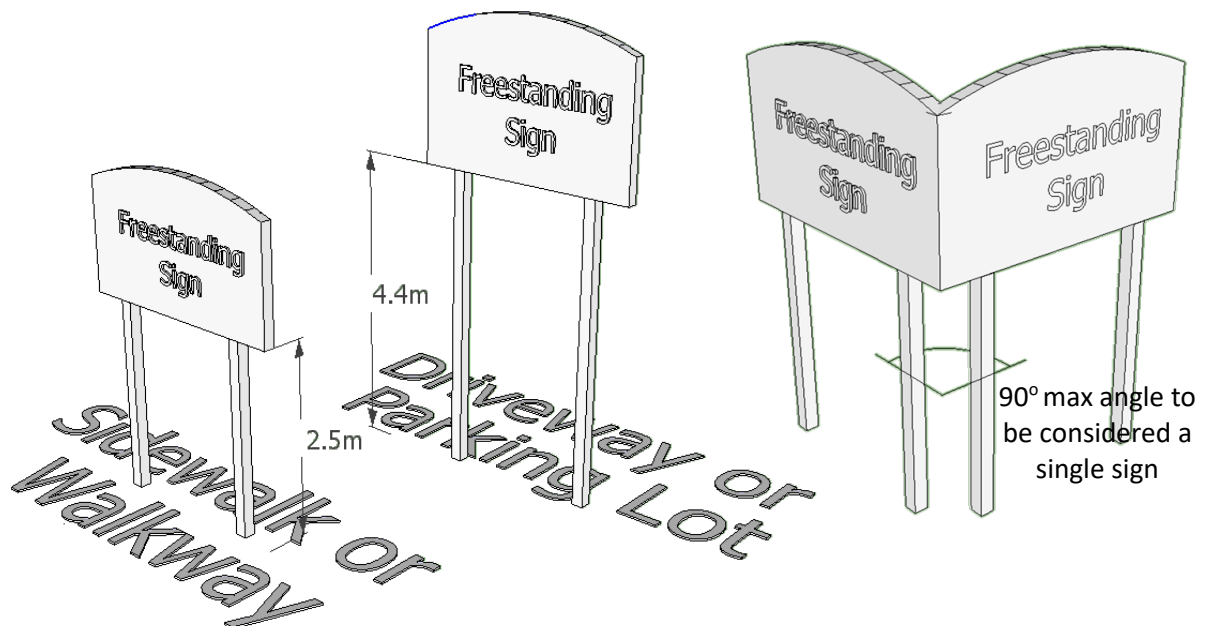
Electronic Static Changeable Copy sign means any [sign](#) on which [copy](#) can be displayed utilizing electronic screens, televisions, computer video monitors, liquid crystal displays, light emitting diode displays, or any other similar electronic technology where the sign copy is fixed for a set period of time and may only display text, pictures, numbers, and logos.

F

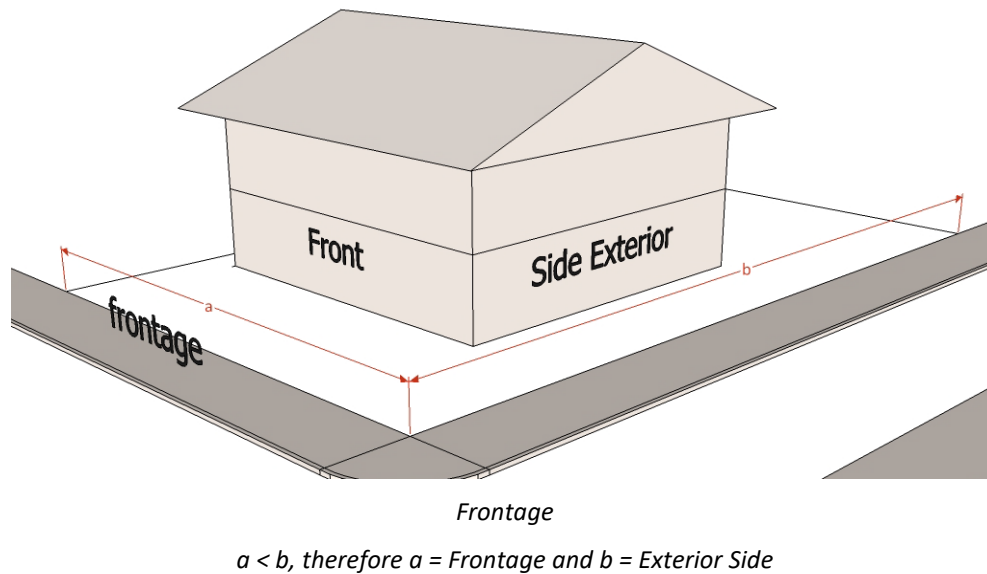
Farm Sales sign means a [sign](#) used to advertise the sale of orchard, farm, or garden produce and related products that are completely or largely produced on site. This may include winery and cidery sales.

Fascia sign means a [sign](#) attached to and supported by the wall of a building with its face parallel to the building wall which does not project more than 0.4 m (1.3 ft) from the wall to which it is attached and does not include a [mural](#).

Freestanding sign means a [sign](#) independently supported by one or more upright poles, columns or braces, visibly separated from a building or other structure, and permanently fixed to the ground. This does not include [billboard signs](#), [portable signs](#), or [sandwich board signs](#).



Frontage means the common boundary shared by a [property line](#) and a [highway](#). On a corner lot or through lot, the shortest [property line](#) shall be deemed the [frontage](#).



H

Hanging sign see [Under Awning/Canopy Sign](#).

Highway means a public street, road, or other public way which provides principal access to a [lot](#).

Home Occupation sign means a [sign](#) identifying a home occupation as defined in the Zoning Bylaw.

I

Identification sign means a [sign](#) which contains no advertising and is limited to the name, [logo](#), address and number of a building, institution or person, and to the activity carried on, or the occupation of the person in the building or institution.

Illuminated sign means any [sign](#) illuminated either directly from a source of light incorporated in or connected with the sign, or indirectly from an artificial source.

Information Plaque means a [sign](#) that conveys a message about a building, site, historical event or object of interest.

L

Logo means a symbolic representation not including any words, names or numbers unless part of a registered trademark, which is used exclusively to simplify advertising of a product, business, service, or activity, and which contains no additional identification, information or message.

Lot means any parcel, block or other area in which land is held or into which it is subdivided, but does not include a [highway](#).

M

Mansard roof means any sloping portion of a roof with a pitch of 30 degrees or less when measured against a vertical plane.

Mansard Roof sign means a [sign](#) attached to the slope of a [mansard roof](#).

Mural means an artistic rendering or drawing painted or otherwise applied to the outside surface of a [building face](#) which is intended as a public display, but does not include [fascia sign](#).

N

Neon sign means a [sign](#) using exposed neon tubing.

P

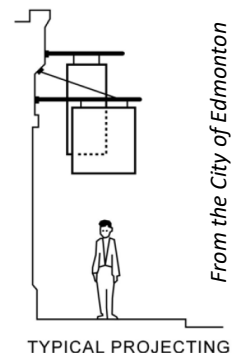
Parapet means a wall or sloped overhang located at the edge of a roof which projects above the roof membrane.

Political sign see [Campaign sign](#)

Portable sign means a [sign](#) not permanently affixed to the ground or to a building or other permanent structure, or a [sign](#) designed to be moved from place to place without involving any structural or support changes. Portable signs may be mounted on a frame or a wheeled structure and included in this category are vehicles whose primary function is advertising. Portable signs are not [sandwich board signs](#) or [balloon signs](#).

Premise means that part of a building being used to carry on a business.

Projecting sign means a [sign](#) attached to a wall of a building which projects more than 0.4 m (1.3 ft) from the face or wall of any building to which it is attached. This does not include [canopy](#), [awning](#), or [under awning/canopy signs](#).



Property Line means a legal boundary of a [lot](#).

R

Real Estate sign means a [temporary sign](#) identifying real estate that is "for sale", "for lease", "for rent" or "sold".

Regulation means any of the general development, specific use, sign or any other regulations contained in any part of this Bylaw.

Roof sign means any [sign](#) erected upon or above a roof or [parapet](#) of any building. This includes any [sign](#) fixed vertically to the top of any [canopy](#) or similar feature.

S

Sandwich board sign means a [temporary](#), movable sign consisting of two flat surfaces joined at the upper end and resting on the ground.

Sign means any device, illustration, illumination, inscription, material, medium, notice, object, structure or visual projecting, including its supports, framework, lighting or electrical system, which is visible from a highway or from the air, and which is used or capable of being used to convey information or direct or attract attention for the purpose of announcement, advertisement, business promotion, promotion of a product, activity, service or idea, or of providing direction, identification or information.

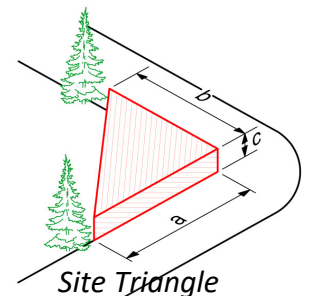
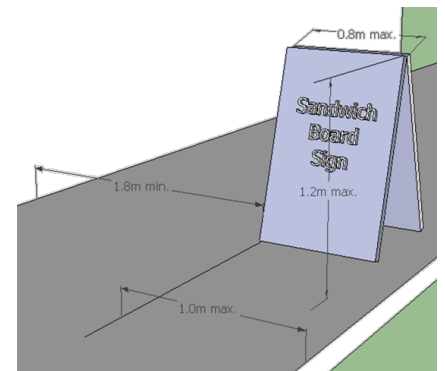
Sign Area means the total surface within the outer edge of a frame or border or where no frame or border exists, the area within the smallest rectangle surrounding the objects composing the sign.

Sign Height means the vertical distance measured from natural grade at the base of the [sign](#) to the highest point of such [sign](#).

Sign Permit means the permission or authorization required by this Bylaw and issued by the [District Official](#) to perform work regulated by this Bylaw.

Site Triangle means the triangular space formed by the front and exterior side [property lines](#) of a corner lot and a line drawn from a point on one [property line](#) to a point on the other [property line](#), each such point being 7.0 m from the point of intersection of the [property lines](#) as defined in the Summerland Zoning Bylaw.

Storey means that part of a building other than a basement or loft which is situated between the top of any floor and the top of the next floor above it and if there is no floor above it, that portion between the top of such floor and the ceiling above it.



($a, b > 7.0\text{ m}$; $c < 1.0\text{ m}$)

Storey, First means the lowest [Storey](#) which has a finished floor elevation not more than 1.2 m above the average building grade as defined in the Summerland Zoning Bylaw.

T

Temporary sign means a [sign](#) which is not in a permanently installed or affixed position, advertising a product or an activity on a limited basis as specified in applicable sections of this Bylaw.

Third Party sign means a [sign](#) which directs attention to a business, commodity, service, or entertainment conducted, sold or offered at a location other than the [premise](#) on which the sign is located. Excluded from this category shall be bus shelters or [sandwich board signs](#) on which advertising may be permitted under a signed agreement with the Municipality.

Time, Temperature, Price sign means a [sign](#) in which the time, temperature, or fuel prices are displayed either manually through the use of attachable letters or numbers or by artificially illuminated digits.

Traffic Control Device means a [sign](#), stop sign, signal, line, parking space, barrier, traffic control signal, traffic control flashing signal or device placed or erected under the provisions of the Motor Vehicle Act or the Streets and Traffic Regulation Bylaw of the [District](#) for the purpose of regulating and controlling street traffic.

U

Under Awning/Canopy sign means any [sign](#) suspended directly under an [awning](#), [canopy](#), or other similar feature.

V

Vehicle sign means a [sign](#) mounted, posted or otherwise adhered on or to a motor vehicle.

W

Wall sign see [Fascia Sign](#).

Window sign means a [sign](#) either painted, attached to, or installed within one (1) metre of the inside of a window or glazed area of a door for the purpose of viewing from outside the [premise](#).

Z

Zone means the zoning designation established pursuant to the District of Summerland Zoning Bylaw #2000-450 as amended or any bylaw replacing same.

3 Prohibitions

3.1 Signs Prohibited in all Zones

- 3.1.1 Signs that are not expressly permitted in this Bylaw are prohibited and without restricting or limiting the generality of the foregoing, the following signs are specifically prohibited:
- a) [Electronic Moving Changeable Copy Signs](#).
 - b) Any permanent commercial banner, pennant, ribbon, streamers, or spinner sign or other moving, fluttering devices, except temporarily as permitted in Section 4 herein.
 - c) Any permanent [balloon signs](#), except temporarily where permitted in Section 4 herein.
 - d) Balcony Signs.
 - e) [Billboard signs](#).
 - f) [Mansard Roof Signs](#).
 - g) [Neon signs](#), except where permitted in Section 4 herein.
 - h) [Roof signs](#), except for temporary balloon signs where permitted in Section 4 herein.
 - i) [Third Party signs](#), except as permitted in Section 4 herein and [District](#)-sponsored wayfinding or [directional signs](#).
 - j) [Signs](#) affixed to utility poles or trees.
 - k) [Signs](#) on or in Okanagan Lake.
 - l) [Signs](#) on a street right-of-way, other than those approved through an Encroachment Agreement or Sandwich Board Agreement, or [District](#) or Provincial signage.
 - m) [Vehicle signs](#). Any sign on a vehicle or trailer used primarily as a static advertising display but not if said vehicle is used in the normal day to day operations of the business.

3.2 Design Prohibitions

3.2.1 In addition to the [regulations](#) of this Bylaw, signs located in designated Development Permit Areas must comply with the applicable design guidelines as established under the [District's](#) Official Community Plan.

Materials

3.2.2 Signs shall not have exposed conduits or guy wires.

Colours

3.2.3 "Day-Glo", fluorescent, luminous or reflective paint or similar products are prohibited on permanent signs except for [traffic control devices](#), where reflective paint may be used for any sign.

Lighting

3.2.4 [Illuminated signs](#) are prohibited within residential, agricultural, or forestry grazing zones, except where permitted in Section 4 herein.

3.2.5 Flashing, intermittent, animated and/or scintillating lights that are visible from a highway are prohibited.

Content

3.2.6 No person, owner or tenant shall post a sign which contains statements, words or pictures of an obscene or pornographic nature.

3.3 Sign Location Prohibitions

3.3.1 No sign shall be placed on any property without the express permission of the property owner; this includes [District](#)-owned property.

3.3.2 No [sign](#) shall extend or overhang into a neighbouring property, and no [sign](#) shall overhang a public street right-of-way except for an approved [canopy](#), [awning](#), [projecting](#), [hanging](#), or other suspended sign where an Encroachment Agreement has been entered into with the [District](#).

3.3.3 Every [sign](#) except where specifically exempted under this Bylaw must be placed on the same property as the advertised business to which it refers and, in addition, [awning](#), [canopy](#), [fascia](#), and [projecting](#) signs must be located on the [building face](#) of the advertised business.

3.3.4 No [sign](#) shall obstruct any door, fire exit, fire escape, passageway, stairway, walkway, window ventilator or similar feature.

3.3.5 No [sign](#) shall obstruct access to a public utility pole, wire, support or attached equipment.

- 3.3.6 Signs shall not be located in any [site triangle](#) unless:
- a) the total [sign area](#) is less than 0.5 m² (5.4 ft²); or
 - b) the whole of the [sign area](#) is located below 1.0 m (3.3 ft) from grade or above a height of 3.0 m (9.8 ft) from grade.
- 3.3.7 All signs shall be installed on the same storey and same business frontage of the building occupied by the business to which they relate except for [business directory](#) signs or menu signs.
- 3.3.8 Signs shall not project above a [parapet](#) or eaves line of a roof with the exception of [free standing signs](#)

3.4 Prohibitions and Penalties

- 3.4.1 No person shall:
- a) contravene, cause, suffer or permit a contravention of this Bylaw;
 - b) neglect or omit bylaw requirements; or
 - c) construct, make an addition to or alter a sign which is not permitted by this Bylaw.
- 3.4.2 Every person who violates any of the provisions of this Bylaw, or who causes, suffers, or permits any act or thing to be done in contravention or in violation of any of the provisions of this Bylaw, or who neglects or refrains from doing anything required to be done by any of the provisions of this Bylaw, or who carries out or who suffers, causes or permits to be carried out any development in a manner prohibited by or contrary to any of the provisions of this Bylaw, or who fails to comply with any order, direction or notice given under this Bylaw, shall be liable on summary conviction to a fine not exceeding \$10,000.00.
- 3.4.3 Fines for an offence against this Bylaw may also be set out in the District of Summerland Bylaw Notice Enforcement Bylaw #2000-375.
- 3.4.4 Each day that a violation of this Bylaw is permitted to exist shall constitute a separate offence.

4 Permitted Signs

4.1 Sign Permit Requirements

4.1.1 Unless otherwise exempted by this Bylaw, all [signs](#) under this part are only allowable with a valid [sign permit](#) and no person shall construct, erect, modify, convert, expand, reconstruct, relocate or replace any such [sign](#) without first having obtained a valid [sign permit](#) and if necessary, a Building Permit pursuant to the [District's](#) Building Bylaw and/or a Development Permit pursuant to the [District's](#) Official Community Plan Bylaw. Altering a sign by replacing the sign copy does require a sign permit.

4.2 Repair and Maintenance

4.2.1 Every owner of a [sign](#) shall maintain that [sign](#) in good working order.

4.2.2 An owner of a [sign](#) may alter, reconfigure and repaint a sign without need for a permit if:

- a) the original display of that sign did not require a permit under this Bylaw; or
- b) the original display of that sign did require a permit under this Bylaw or any previous bylaw regulating signs in the Municipality, but:
 - i the alteration, reconfiguration or repainting is in compliance with all permits issued for the sign;
 - ii the size, shape and sign area remains the same;
 - iii the siting and location of the sign remains the same; and
 - iv the letters, numbers, symbols and other images on the sign remain the same.

4.3 Advertising Signs on Bus Shelters, Benches, Garbage/Recycling Containers

4.3.1 Advertising signs displayed on bus shelters, benches, garbage/recycling containers or other similar structures are exempt from obtaining a [sign permit](#) provided they are authorized by the [District](#).

4.4 Awning Signs

General / Location

4.4.1 [Awning signs](#) shall be permitted in Commercial and Industrial zones only.

4.4.2 [Awning signs](#) shall be restricted to the [first storey](#).

Number

4.4.3 Maximum one (1) [awning](#), [canopy](#), [projecting](#) or [fascia](#) sign per [business frontage](#).

Sign Area

- 4.4.4 [Awning signs](#) shall be confined to the limits of the [awning](#) and the [copy area](#) shall not exceed 40 percent of the awning surface.

Clearance

- 4.4.5 [Awning signs](#) shall have a minimum vertical [clearance](#) from grade or, if applicable, a sidewalk, of 2.4 m (7.8 ft).

Projection

- 4.4.6 [Awnings](#) or [awning signs](#) shall not project closer than 0.6 m (2.0 ft) to the curb line measured horizontally.
- 4.4.7 [Awnings](#) or [awning signs](#) shall not project over a lane.
- 4.4.8 [Awnings](#) or [awning signs](#) projecting over a sidewalk shall be designed to direct run-off and snow away from the sidewalk below.

4.5 Balloon Signs

General / Location

- 4.5.1 [Balloon signs](#) shall be permitted in all zones except residential zones.
- 4.5.2 A [balloon sign](#) shall be located on the property to which the sign refers. Under no circumstances may a [balloon sign](#) be located within the public road right-of-way.
- 4.5.3 A [balloon sign](#) may be located on the roof of a building.

Number

- 4.5.4 Maximum one (1) [balloon sign](#) for each [business frontage](#), unless the frontage exceeds 90.0 m (295 ft), in which case one (1) additional [balloon sign](#) is permitted.

Time Limit

- 4.5.5 The maximum time limit for any [balloon sign](#) is 72 hours, no more than three times per year.

Security

- 4.5.6 The sign, property, or business owner shall submit a \$200 security deposit to the [District](#) for the term of the [Sign Permit](#) as security to ensure the [balloon sign](#) will be removed when the approval term expires.

4.6 Banner Signs

General / Location

- 4.6.1 [Banner signs](#) shall be permitted in all zones except residential zones.
- 4.6.2 [Banner signs](#) are to be sited so as not to impede the visibility of motorists and/or pedestrians.

Sign Area

- 4.6.3 The total [sign area](#) for banner signage shall not exceed 10.0 m² (107.6 ft²).

Time Limit

- 4.6.4 The maximum time limit for any commercial [banner sign](#) is 30 days, no more than three times per year.

Security

- 4.6.5 The sign, property, or business owner shall submit a \$200 security deposit to the [District](#) for the term of the [Sign Permit](#) as security to ensure the [banner sign](#) will be removed when the approval term expires.

4.7 Canopy Signs

General / Location

- 4.7.1 [Canopy signs](#) shall be permitted in Commercial and Industrial zones only.
- 4.7.2 [Canopy signs](#) shall be restricted to the [first storey](#).

Number

- 4.7.3 Maximum one (1) [awning](#), [canopy](#), [projecting](#) or [fascia](#) sign per [business frontage](#).
- 4.7.4 [Freestanding Canopies](#) area permitted to have signage on all sides.

Sign Area

- 4.7.5 The maximum [sign area](#) for a [canopy sign](#) shall not exceed 0.6 m² (6.5 ft²) per 1.0 m (3.3 ft) of lineal canopy frontage.

Clearance

- 4.7.6 [Canopy signs](#) shall have a minimum vertical clearance from grade or, if applicable, a sidewalk, of 2.4 m (7.8 ft).

Projection

- 4.7.7 [Canopies](#) or [canopy signs](#) shall not project closer than 0.6 m (2.0 ft) to the curb line measured horizontally.
- 4.7.8 [Canopies](#) or [canopy signs](#) shall not project over a lane.
- 4.7.9 [Canopy sign](#) shall not extend or project above the upper edge of a [canopy](#) by more than 0.6 m (2 ft) and in no case shall project above the roof line of a building.

- 4.7.10 [Canopy signs](#) shall not project beyond the length of the [canopy](#).
- 4.7.11 [Canopies](#) or [canopy signs](#) projecting over a sidewalk shall be designed to direct run-off and snow away from the sidewalk below.

4.8 Campaign Signs

Bylaw No. 2022-019 added item 4.8.3 in its entirety.

[Campaign signs](#) are exempt from obtaining a sign permit provided the following conditions are met:

- 4.8.1 [Campaign signs](#) shall not be installed before an election is called or before the end of a nomination period.
- 4.8.2 [Campaign signs](#) shall be removed within 7 days after the election or referendum.
- 4.8.3 [Campaign signs](#) shall not be installed along Main Street or along Victoria Road between Jubilee Road and Wharton Street.

4.9 Changeable Copy Signs and Electronic Static Changeable Copy Signs

General / Location

- 4.9.1 Permanent [Changeable Copy signs](#) and [Electronic Static Changeable Copy signs](#) shall be permitted in Institutional (I), Highway Commercial (CH), and Shopping Centre (CB2) zones.
- 4.9.2 [Portable Changeable Copy](#) signs and [Electronic Static Changeable Copy](#) signs shall be permitted in Institutional, Commercial, and Industrial zones subject to the time limitations of a [Portable sign](#).
- 4.9.3 [Time, Temperature, Price signs](#) shall be permitted in Commercial and Industrial zones.
- 4.9.4 [Changeable Copy signs](#) and [Electronic Static Changeable Copy signs](#) shall be located on the [premise](#) to which the [sign](#) refers unless the sign is being used solely to announce community (non-commercial) events.
- 4.9.5 [Changeable Copy signs](#) and [Electronic Static Changeable Copy signs](#) shall be part of a [fascia](#), [free-standing](#) or [portable](#) sign.

Number

- 4.9.6 Maximum one (1) [changeable copy sign](#) or [Electronic Static Changeable Copy sign](#) per [lot](#).

Sign Area

- 4.9.7 The maximum [sign area](#) is 3.0 m² (32.3 ft²) for a single-faced [changeable copy sign](#) or [Electronic Static Changeable Copy sign](#) and 3.0 m² (32.3 ft²) per face to a maximum of 6.0 m² (64.6 ft²) for a double-faced [changeable copy sign](#) or [Electronic Static Changeable Copy sign](#).

Sign Copy

- 4.9.8 [Changeable Copy signs](#) and [Electronic Static Changeable Copy signs](#) shall be totally contained within the [sign](#) on which it is mounted.
- 4.9.9 Permanent [Changeable Copy Signs](#) shall not contain any bright fluorescent colour within the [copy area](#).
- 4.9.10 [Electronic Static Changeable Copy signs](#) shall not display any video, flashing, or moving images.
- 4.9.11 [Electronic Static Changeable Copy signs](#) shall limit changes to the complete message to no more than once per minute.
- 4.9.12 The light output of [Electronic Static Changeable Copy signs](#) shall be set in accordance with the following maximum luminance levels when measured from the sign face at its maximum brightness (at those time determined by the Sunrise/Sunset calculator from the national research Council of Canada):
- a) between sunrise and sunset, 7500 Nits; and
 - b) between sunset and sunrise, 350 Nits.

4.10 Community Notice Board

General / Location

- 4.10.1 [Community notice boards](#) shall be permitted in Institutional, Park, Commercial, and Industrial zones.
- 4.10.2 To place a [Community Notice Board](#) on Public Property, the applicant/owner of the sign must enter into an Encroachment Agreement with the [District of Summerland](#).
- 4.10.3 [Community Notice Boards](#) on public property will be constructed and installed by the [District of Summerland](#) and purchased and maintained by the applicant.

Sign Area

- 4.10.4 The total [sign area](#) for a [community notice board](#) is 3.0 m² (32.3 ft²).

Sign Copy

- 4.10.5 [Community notice boards](#) may not be illuminated.

4.11 Construction Signs

[Construction signs](#) are exempt from obtaining a [sign permit](#) provided the following conditions are met:

Location

4.11.1 [Construction signs](#) shall be located on the affected property.

Number

4.11.2 There may not be more than two [construction signs](#) per contractor or subcontractor erected on a property.

Sign Area

4.11.3 The [sign area](#) for each individual [construction sign](#) shall not exceed 1.5 m² (16.1 ft²).

Height

4.11.4 The [sign height](#) shall not exceed 3.0 m (9.8 ft).

Time Limit

4.11.5 [Construction signs](#) shall be erected no more than 5 days prior to the start of construction for which a valid building permit has been issued and shall be removed no more than 5 days after completion of construction or the issuance of an occupancy permit whichever should occur first.

4.12 Farm Sales Signs – temporary, portable

Temporary, [portable farm sales signs](#) are exempt from obtaining a [sign permit](#) provided the following conditions are met:

Location

4.12.1 Temporary, [portable farm sales signs](#) shall be permitted in Agricultural zones only.

4.12.2 Temporary, [portable farm sales signs](#) shall be located on the parcel on which the product is being sold.

Number

4.12.3 Maximum one (1) temporary, [portable farm sales sign](#) for each 50 m (164 ft) of property [frontage](#) to a maximum of ten (10) signs.

4.12.4 Maximum one (1) temporary, [portable farm sales sign](#) for each property with less than 50 m (164 ft) of frontage.

Sign Area

4.12.5 The [sign area](#) for each temporary, [portable farm sales signs](#) shall not exceed 1.5 m² (16.1 ft²).

Time Limit

4.12.6 Temporary, [portable farm sales signs](#) shall be removed when the season ends, or they are no longer required, whichever occurs first.

4.13 Fascia Signs

General / Location

4.13.1 [Fascia signs](#) shall be restricted to the [first storey](#) of the building in residential, agricultural, and forestry grazing zones.

Number

4.13.2 Maximum one (1) [awning](#), [canopy](#), [projecting](#) or [fascia](#) sign per [business frontage](#) except:

- a) where there is a corner site there may be one additional [awning](#), [canopy](#), [projecting](#) or [fascia](#) sign; and
- b) where there are multiple businesses, in which case one (1) additional [identification](#) or [business directory](#) sign shall be permitted per [development site](#).

4.13.3 When the side wall of a building faces onto an open space including a parking lot or lane, which is part of the same [premises](#) belonging to the same business, a [fascia sign](#) shall be permitted on such side wall, provided such sign does not face onto a residence in the adjoining property. The [sign area](#) for such [fascia sign](#) shall be calculated as if it were [business frontage](#).

Sign Area

4.13.4 The maximum [sign area](#) is 0.5 m² (5.4 ft²) for [fascia signs](#) identifying a home occupation, bed and breakfast, commercial use within a heritage designated dwelling, child care centre, or group home in any zone.

4.13.5 The maximum [sign area](#) is 1.5 m² (16.1 ft²) for [fascia signs](#) used for the name of a multi-dwelling complex in residential zones.

4.13.6 The maximum [sign area](#) is 3.0 m² (32.3 ft²) for [fascia signs](#) in Institutional, Park, Agricultural, and Forestry Grazing zones.

4.13.7 The maximum [sign area](#) is 6.0 m² (64.6 ft²) for [fascia signs](#) used to identify [Farm Sales](#) in Agricultural zones.

4.13.8 The maximum [sign area](#), of all [fascia signs](#) on a [building face](#), is 15 percent of the [building face](#), to which the [sign](#) or signs are affixed, to a maximum of 24 m² (258.3 ft²), in Commercial and Institutional Zones. For mixed-use buildings, only the commercial portion is used for calculating building face.

Projection

- 4.13.9 [Fascia signs](#) shall not project more than 0.4 m (1.3 ft.) horizontally from the [building face](#) to which it is attached.
- 4.13.10 [Fascia signs](#) shall not project beyond a corner of a wall to which they are attached except in the case where a sign (or two signs) extends horizontally along each street [frontage](#) to meet at the corner of the building and the corner makes up an integral part of the sign.
- 4.13.11 [Fascia signs](#) shall not extend above the roof line or [parapet](#) to which it is affixed.

Sign Copy

- 4.13.12 [Illuminated fascia signs](#) shall be permitted in Commercial and Industrial zones only.

4.14 Flags

- 4.14.1 International, national, municipal or provincial flags shall be permitted and are exempt from obtaining a sign permit.

4.15 Freestanding Signs

Location

- 4.15.1 [Freestanding signs](#) shall be located on the affected property.

Number

- 4.15.2 Maximum one (1) [freestanding sign](#) per [lot](#) with street [frontage](#) greater than 7.5 m (24.6 ft) unless:
- the street [frontage](#) exceeds 50.0 m (164.0 ft) in length, in which case one (1) additional [freestanding sign](#) shall be permitted; and
 - there are multiple businesses, in which case one (1) additional [identification](#) or [business directory](#) sign shall be permitted.
- 4.15.3 No [lot](#) shall have more than three [freestanding signs](#).

Sign Copy

- 4.15.4 [Illuminated Freestanding signs](#) shall be permitted in Commercial and Industrial zones only.

Sign Area

- 4.15.5 [Copy](#) is permitted on both sides of [freestanding signs](#), including signs angled up to 90 degrees, therefore allowing the [copy area](#) to be double the permitted [sign area](#).

Sign Area in Commercial and Industrial Zones

- 4.15.6 The maximum [sign area](#) is 3.0 m² (32.3 ft²) for [freestanding signs](#) on Commercial or Industrial zoned properties with up to 15.0 m (49.2 ft) of frontage on a public street.
- 4.15.7 The maximum [sign area](#) is 9.0 m² (96.9 ft²) for [freestanding signs](#) on Commercial or Industrial zoned properties with over 15.0 m (49.2 ft) and under 30.0 m (98.4 ft) of [frontage](#) on a public street.
- 4.15.8 The maximum [sign area](#) is 12.0 m² (129.2 ft²) for [freestanding signs](#) on Commercial or Industrial zoned properties with over 30.0 m (98.4 ft) of [frontage](#) on a public street.
- 4.15.9 The maximum [sign area](#) is 30.0 m² (322.9 ft²) for freestanding [business directory](#) signs on commercial shopping centre properties having a gross floor area exceeding 2,000 m² (21,528 ft²) in all except residential zones.

Sign Area other Zones

- 4.15.10 The maximum [sign area](#) is 1.5 m² (16.1 ft²) for [freestanding signs](#) in Residential zones, unless it is a [Neighbourhood Identification sign](#).
- 4.15.11 The maximum [sign area](#) is 3.0 m² (32.3 ft²) for [freestanding signs](#) in Institutional and Park zones.
- 4.15.12 The maximum [sign area](#) is 6.0 m² (64.6 ft²) for [freestanding signs](#) used to identify [Farm Sales](#) in Agricultural zones.

Height

- 4.15.13 The maximum [sign height](#) is 1.5 m (5.0 ft) for [freestanding signs](#) in residential zones, unless it is a [Neighbourhood Identification sign](#).
- 4.15.14 The maximum [sign height](#) is 9.5 m (31.2 ft) for [freestanding signs](#) in all except residential zones.

Clearance

- 4.15.15 [Freestanding signs](#) located in or above parking lots or driveways shall have a clearance of 4.4 m (14.4 ft) from the finished surface.

Projection

- 4.15.16 [Freestanding signs](#) shall not be located closer than 1.0 m (3.3 ft) to a [lot](#) line.

4.16 Information Plaques

- 4.16.1 Memorial [information plaques](#), cornerstones, historic tablets and the like shall be permitted and are exempt from obtaining a sign permit.

4.17 Municipal or Provincial Signs

- 4.17.1 [Signs](#) erected on the authority of a [District Official](#) or the Ministry of Transportation and Infrastructure on public or private lands for the direction or control of traffic, pedestrians, or parking are exempt from obtaining a [sign permit](#).
- 4.17.2 [Development signs](#) approved by Council as part of a Development Permit application regulated by the provisions of the Official Community Plan Bylaw are exempt from obtaining a [sign permit](#). Any required structural details associated with the sign must be included with the Building Permit application for the building itself.
- 4.17.3 Information signs erected by Provincial or Municipal governments or their agents are exempt from obtaining a sign permit.

4.18 Murals

General / Location

- 4.18.1 Non-commercial [murals](#) of a community or historic nature are exempt from obtaining a sign permit provided they contain no advertising content.
- 4.18.2 [Murals](#) shall be permitted in institutional, park, agricultural, commercial, and industrial zones.
- 4.18.3 [Murals](#) within the Downtown Development Permit Area are subject to design guidelines as defined in the Official Community Plan.

Sign Area

- 4.18.4 The maximum [copy area](#) used for advertising may not be more than 15 percent of the mural [sign area](#).

4.19 Neighbourhood Identification Signs

General / Location

- 4.19.1 Neighbourhood [identification signs](#) may include masonry walls, landscaping and other materials or features combined for a display provided the display consists only of the neighbourhood or development name and if applicable an address number.
- 4.19.2 Neighbourhood [Identification signs](#) must be on private property.

Number

- 4.19.3 There may only be one Neighbourhood [Identification sign](#) per entrance.

Sign Copy

- 4.19.4 [Illuminated](#) Neighbourhood [Identification signs](#) shall be permitted.

Sign Area

- 4.19.5 The maximum sign [copy area](#) is 3.0 m² (32.3 ft²) for Neighbourhood [Identification signs](#).

Height

4.19.6 The maximum [sign height](#) is 1.8 m (5.9 ft) for a [freestanding sign](#) used in Neighbourhood Identification signs.

4.20 Portable Signs

Portable signs are intended to be temporary for special events or under special circumstances. Regulations for [Portable Changeable Copy signs and Electronic Static Changeable Copy signs](#) are in Section 4.9.

General / Location

4.20.1 [Portable signs](#) shall be permitted in all zones except residential zones.

Number

4.20.2 Maximum one (1) [portable sign](#) shall be displayed per [development site](#).

Sign Area

4.20.3 The [sign area](#) for a [portable sign](#) shall be no greater than 3.0 m² (32.3 ft²).

Location

4.20.4 [Portable signs](#) shall not be located on public property or on a required off street parking space or a driveway.

4.20.5 [Portable signs](#) shall not be located in the [site triangle](#) or otherwise obscure the line of vision from a highway, access road or sidewalk to oncoming traffic.

Time Limit

4.20.6 [Portable signs](#) shall not be located on the subject property longer than 90 days in any calendar year with the exception of [sandwich board signs](#) which have no time limitation.

4.21 Projecting Signs

General / Location

4.21.1 [Projecting signs](#) shall be permitted in Commercial and Industrial zones only.

Number

4.21.2 Maximum one (1) [awning](#), [canopy](#), [projecting](#) or [fascia](#) sign per [business frontage](#).

Sign Area

4.21.3 [Copy](#) is permitted on both sides of [projecting signs](#), therefore allowing the [copy area](#) to be double the permitted [sign area](#).

4.21.4 The maximum [sign area](#) is 1.5 m² (16.1 ft²) for a [projecting sign](#).

Clearance

4.21.5 A [projecting sign](#) shall have a minimum vertical [clearance](#) from grade or, if applicable, a sidewalk, of 2.4 m (7.9 ft).

Projection

- 4.21.6 [Projecting signs](#) shall not project more than 1.2 m (3.9 ft) horizontally from the exterior wall of a [building face](#) to which it is attached.
- 4.21.7 [Projecting signs](#) shall not project closer than 0.6 m (2.0 ft) to the curb line measured horizontally.
- 4.21.8 [Projecting signs](#) shall not project over a lane.

4.22 Real Estate Signs - Small

Small [real estate signs](#) are exempt from obtaining a [sign permit](#) provided the following conditions are met:

General/Location

- 4.22.1 Small [real estate signs](#) shall be located on the affected property.
- 4.22.2 Small [portable real estate signs](#) may be placed in a location other than the [premise](#) to which the [sign](#) refers for a maximum of 4 hours to promote an open house or special event.

Number

- 4.22.3 Maximum one (1) small [real estate sign](#) adjacent to each highway [frontage](#) of a [lot](#) or [development site](#) and up to three (3) for multi-unit [development sites](#).

Sign Area

- 4.22.4 The maximum [sign area](#) for a small [Real Estate Sign](#) shall not exceed 1.5 m² (16.1 ft²) on a [lot](#) with four residential units or less.
- 4.22.5 The maximum [sign area](#) for a small [Real Estate Sign](#) shall not exceed 3.0 m² (32.3 ft²) on a [lot](#) zoned residential with more than four residential units and in all other zones.

Height

- 4.22.6 The maximum [sign height](#) for a small [Real Estate Sign](#) shall not exceed 3.0 m (9.8 ft).

Time Limit

- 4.22.7 Small [Real Estate Signs](#) shall be removed within 14 days of sale or 2 years from the date the [sign](#) is erected or in the case where a property is under active building permit for a period of 2 years following issuance of an occupancy permit.

4.23 Real Estate Signs – Large

Large [Real Estate Signs](#) must obtain a sign permit and meet the following conditions:

Location

- 4.23.1 Large [Real Estate Signs](#) shall be located on the affected property.

Number

4.23.2 Maximum one (1) large [Real Estate Signs](#) adjacent to each highway [frontage](#) of a [lot](#) or [development site](#).

Sign Area

4.23.3 The maximum [sign area](#) is 9.0 m² (96.9 ft²) for a large [Real Estate Sign](#).

4.23.4 [Copy](#) is permitted on both sides of large [Real Estate Signs](#), including signs angled up to 90 degrees, therefore allowing the [copy area](#) to be double the permitted [sign area](#).

Height

4.23.5 The maximum [sign height](#) is 6.0 m (19.7 ft) for a large [freestanding Real Estate Sign](#).

Projection

4.23.6 Large [Real Estate Signs](#) shall not be located closer than 1.0 m (3.3 ft) to a [lot](#) line.

Time Limit

4.23.7 Large [Real Estate Signs](#) shall be removed within 14 days of sale or 2 years from the date the [sign](#) is erected or in the case where a property is under active building permit for a period of 2 years following issuance of an occupancy permit.

4.24 Sandwich Board Signs

4.24.1 [Sandwich board signs](#) require a [Sign Permit](#) except [Temporary Sandwich board signs](#) shall be permitted in any zone, without a permit or a Sandwich Board Agreement, in a location other than the [premise](#) to which the [sign](#) refers for a maximum of 4 hours per day to promote an open house or special event.

General/Location

4.24.2 [Sandwich board signs](#) shall be permitted in Commercial and Industrial zones only.

4.24.3 [Sandwich board signs](#) shall be located entirely on the property to which it pertains.

4.24.4 [Sandwich Board Signs](#) shall be permitted on road rights-of-way provided the following conditions are met:

- a) [Sandwich board signs](#) on a public sidewalk or walkway shall be located within 1.0 m (3.3 ft) of the curb face.
- b) [Sandwich board signs](#) on a public sidewalk or walkway must leave a minimum 1.8 m (5.9 ft) wide, unobstructed pedestrian corridor after the sign is installed so as to not disrupt pedestrians using the sidewalk or walkway.
- c) [Sandwich board signs](#) shall not interfere with a designated walking corridor, landscape planters, street furniture, bicycle racks, street trees, or fire hydrants.

- d) [Sandwich board signs](#) shall not interfere with a designated crosswalk, including placement on a sidewalk, boulevard, interlocking brick aprons, or raised center of a roundabout that is within the area delineated by the pedestrian crossings adjacent to the roundabout.
- e) A Sandwich Board Sign Agreement has been executed with the [District](#).
- f) [Sandwich board sign](#) owners are to maintain a valid public liability insurance policy in the amount of two million dollars if any sign is being located within the public road rights-of-way.

Number

4.24.5 Maximum one (1) [sandwich board sign](#) per business with a maximum of two (2) [sandwich board signs](#) per [frontage](#) of a [lot](#).

Sign Area and Dimensions

4.24.6 The maximum [sign area](#) is 1.0 m² (10.8 ft²) for a [sandwich board sign](#).

4.24.7 [Copy](#) is permitted on both sides of [sandwich board signs](#), therefore allowing the [copy area](#) to be double the permitted [sign area](#).

4.24.8 The maximum [sign](#) width is 0.8 m (2.6 ft) for a [sandwich board sign](#).

4.24.9 The [sign height](#) shall be between 0.9 m (3.0 ft) and 1.2 m (4.0 ft) for a [sandwich board sign](#).

Time Limit

4.24.10 [Sandwich board signs](#) shall only be displayed while the business is open to the general public.

4.25 Signs Noting Restrictions

4.25.1 [Signs](#) noting restrictions relative to private property such as no trespassing, no dumping, no burning, and no parking shall be permitted and are exempt from obtaining a [sign permit](#) provided the maximum [sign area](#) does not exceed 0.5 m² (5.4 ft²).

4.26 Under Awning / Canopy Signs

General / Location

4.26.1 [Under awning/canopy signs](#) shall be permitted in Commercial and Industrial zones only.

4.26.2 [Under awning/canopy signs](#) shall be restricted to the [first storey](#).

Number

4.26.3 Maximum one (1) [under awning/canopy sign](#) per [business frontage](#).

Sign Area

4.26.4 [Copy](#) is permitted on both sides of [under awning/canopy signs](#), therefore allowing the [copy area](#) to be double the permitted [sign area](#).

4.26.5 The maximum [sign area](#) is 1.5 m² (16.1 ft²) for an [under awning/canopy sign](#).

Clearance

4.26.6 [Under awning/canopy signs](#) shall have a minimum vertical clearance from grade or, if applicable, a sidewalk, of 2.4 m (7.9 ft).

Projection

4.26.7 [Under awning/canopy signs](#) shall not project over [highway](#) rights-of-way with the exception of sign encroachments that are limited to a maximum of 1.2 m (4 ft) and shall not extend closer than 0.3 m (1 ft) of the curb.

4.26.8 [Under awning/canopy signs](#) shall not extend or project beyond the edge of a [canopy](#) or awning.

4.27 Warning Signs

4.27.1 Temporary warning, danger or hazard signs shall be permitted and are exempt from obtaining a [sign permit](#).

4.28 Window Signs

[Window signs](#) are exempt from obtaining a [sign permit](#) provided the following conditions are met:

4.28.1 A [neon sign](#) shall be permitted as a window sign in any zone, but may not be flashing.

4.28.2 A [window sign](#) using a television screen to scroll through advertisements for goods or services shall be permitted in Commercial zones only, provided the screen size does not exceed 42 inches and the television does not emit sound.

5 Effective Date

5.1 Effective Date

5.1.1 This Bylaw comes into force and takes effect on the date of adoption.

Read a first time by Municipal Council this 12th day of May, 2014.

Read a second and third time by Municipal Council this 26th day of May, 2014

Adopted by the Municipal Council of the District of Summerland this 9th day of June, 2014.

Mayor

Corporate Officer